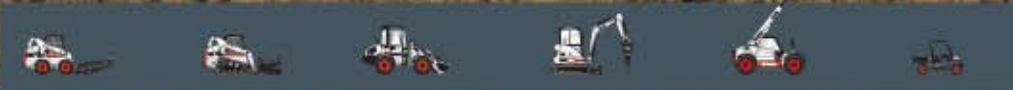




Bobcat®

T35120SL

Telescopic Handlers



Performance

Lifting height — on stabilisers	11850 mm
Lifting height — on tyres	11530 mm
Rated capacity	3500 kg
Capacity (at max. height on stabilisers)	3200 kg
Capacity (at max. height on tyres)	2300 kg
Capacity (at max. reach on stabilisers)	1200 kg
Capacity (at max. reach on tyres)	350 kg
Max. reach on tyres	8190 mm
Max. reach on stabilisers	8120 mm
Crowding force	4600 daN

Weights

Weight (unladen)	8240 kg
------------------	---------

Traction

Standard tyres	400/70x20 150B
Low speed (forward/reverse)	0–7 km/h
High speed (forward/reverse)	0–30 km/h
Driving modes	Direct drive / soft drive

Drive System

Transmission	Hydrostatic with electronic regulation
Main drive	2-speed hydrostatic motor

Engine

Make/Model	PERKINS / 1104D-44TA turbo
Fuel / Cooling	Diesel / Liquid
Rated power (DIN 6271) at 2200 RPM	74.5 kW (99 HP)
Maximum torque at 1400 RPM	410 Nm
Number of cylinders	4
Displacement	4.4 l

Hydraulic System

Pump type	Gear pump with LS valve
Combined pump capacity	135 l/min
Working pressure	265 bar

Cycle Time

Lift time - no load	10.0 s
Lower time - no load	5.5 s
Telescope in time at max. reach - no load	11.5 s
Telescope in time at max. height - no load	11.5 s
Telescope out time at max. reach - no load	13.0 s
Telescope out time at max. height - no load	13.0 s

Brakes

Engine braking	Hydrostatic
Parking and emergency brake	Negative brake with hydraulic command

Fluid Capacities

Axles and reduction gears front/rear	9 / 8.1 l
Engine oil	8.5 l
Fuel tank	140 l
Hydraulic reservoir	77 l

Standard Features

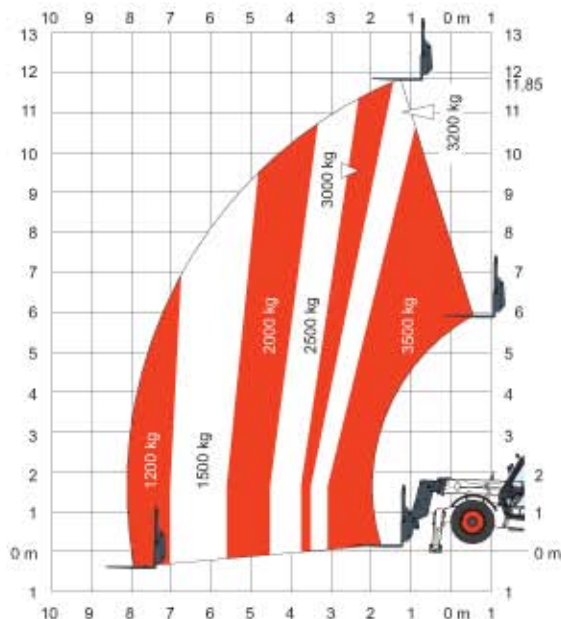
Aggravating movement arrester (AMA)	Two way hydraulic supply at the end of the boom
Hydrostatic transmission	Narrow hook-up for mounting of the equipment
ROPS/FOPS operator cab	Mechanical lock of the equipment
Heating, demisting and ventilation	
Front and rear washer/wipers	
Suspension seat	

Options

Reverse drive alarm	Work light on boom
Second hydraulic function on boom	Set of blue lights for hen houses
Cab air conditioning	Hydraulic lock of equipment
Rear hydraulic hook and mirror	Yoke and electrical plug
Rotating beacon	Roof windscreen wiper
Cooling fan reverser for cleaning purpose	Windscreen grill
Rear hydraulic connection	Transmission lock override
Trailer brake valve	

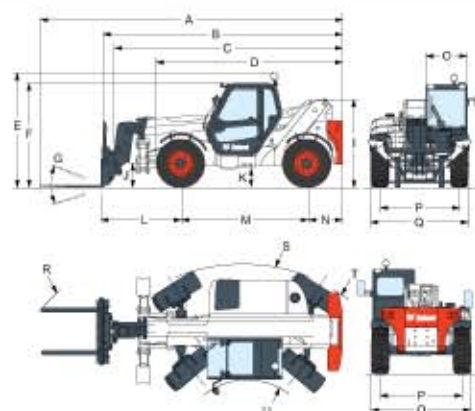
Load Charts

With forks and TITAN 400/70 x 20 tyres — on stabilisers



Complies with stability test EN1459 Annex B.

Dimensions



(A)	6789 mm	(G)	145°	(M)	2850 mm
(B)	5584 mm	(I)	2079 mm	(N)	800 mm
(C)	5461 mm	(J)	419 mm	(O)	930 mm
(D)	3775 mm				
(E)	2610 mm				
(F)	2295 mm				



www.bobcat.eu