



**Bobcat®**

**T2250**

Telescopic Handlers



## Performance

Lifting height (Bob-Tach™)	5230 mm
Lifting height (Quick-Tach)	5210 mm
Rated capacity	2200 kg
Capacity at max. height	2200 kg
Capacity at max. reach (Bob-Tach™)	1000 kg
Capacity at max. reach (Quick-Tach)	950 kg
Max. reach (Bob-Tach™)	3010 mm
Max. reach (Quick-Tach)	3030 mm
Crowding force	2100 daN

## Weights

Weight (unladen)	4695 kg
------------------	---------

## Traction

Standard tyres	14x17.5
Low speed (forward/reverse)	0-7 km/h
High speed (forward/reverse)	0-25 km/h
Driving modes	Direct drive / soft drive

## Drive System

Transmission	Hydrostatic with electronic regulation
Main drive	2-speed hydrostatic motor

## Engine

Make / Model	KUBOTA / V3800-DI Turbo
Fuel / Cooling	Diesel / Liquid
Rated power (DIN 6271) at 2400 RPM	55.9 kW (75 HP)
Maximum torque at 1600 RPM	274 Nm
Number of cylinders	4
Displacement	3.8 l

## Hydraulic System

Pump type	Gear pump with LS valve
Combined pump capacity	85 l/min
Working pressure	240 bar

## Cycle Time

Lift time - no load	4.7 s
Lower time - no load	6.5 s
Telescope in time at max. reach - no load	4.2 s
Telescope in time at max. height - no load	4.2 s
Telescope out time at max. reach - no load	5.7 s
Telescope out time at max. height - no load	5.8 s

## Brakes

Engine braking	Hydrostatic
Parking and emergency brake	Negative brake with hydraulic command

## Fluid Capacities

Axles and reduction gears front / rear	8.9 / 5.6 l
Engine oil	12 l
Fuel tank	91 l
Hydraulic reservoir (hydraulic / overall)	29 / 44 l

## Standard Features

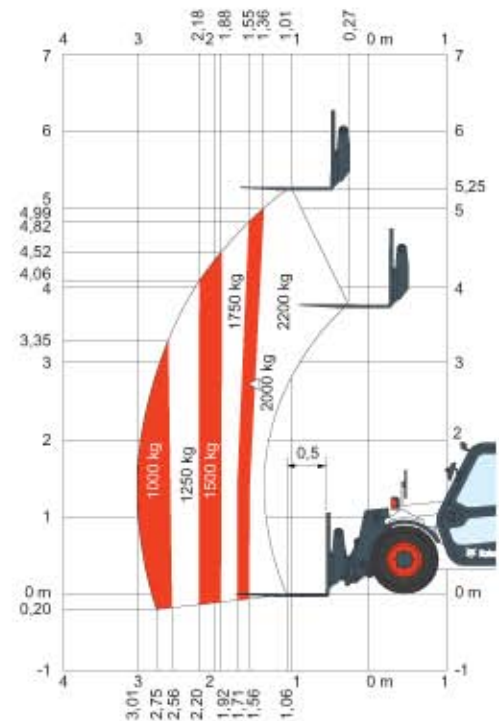
Aggravating Movements Arrester (AMA)	Quicktach
Hydrostatic transmission	Front and rear work lights on cab
ROPS/FOPS operator cab	Creep function (or SMS: Speed management system)
Heating, demisting and ventilation	
Front and rear washer/wipers	
Seat with self retracting seat belt	

## Options

Back-up alarm	Protective grill for windscreen
Air conditioning	Transmission lock override
Rotating beacon	Float function
Rear hydraulic auxiliary	Bob-Tach™
Boom light	Hydraulic line at boom end with ACD
Set of blue lights for hen houses	Rear pin-type hitch
Carriage with hydraulic attachment lock	Boom stop
Roof window wiper	

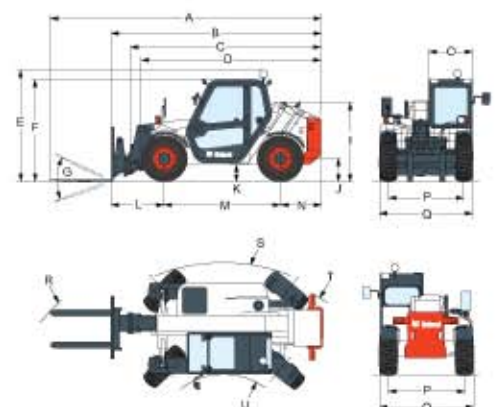
## Load Charts

With forks and 14 x 17.5 tyres, with Bob-Tach™



Complies with stability test EN1459 Annex B.

## Dimensions



(A)	5330 mm	(G)	148°	(M)	2300 mm
(B)	4145 mm	(I)	1553 mm	(O)	860 mm
(C)	3984 mm	(J)	430 mm		
(D)	4000 mm	(K)	294 mm		
(E)	3585 mm				
(F)	2185 mm				
	1985 mm				



www.bobcat.eu